

BDPG-36-40 Series



- DC Brush GearMotor
- Designed for high volume applications
- Up to 10 kg-cm of Torque
- 35 mm motor body diameter

BDPG-36-40-12V-3000-Rxx Specifications

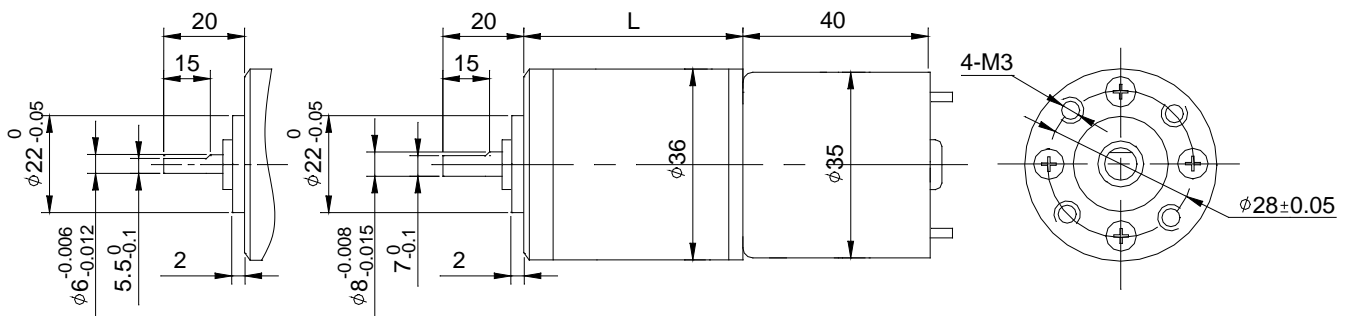
Gear Ratio	4	5	14	19	27	51	71	100	139	189	264	369
Length (L)	35.5	35.5	35.5	35.5	35.5	41.5	41.5	41.5	41.5	47.5	47.5	47.5
No Load Speed (RPM)	750	600	214	157	111	59	42	30	21	16	11	8
Rated Speed (RPM)	575	460	164	121	85	45	32	23	16	12	9	6
Rated Torque (kg-cm)	0.3	0.36	0.9	1.2	1.7	3.0	4.1	5.8	8.1	9.3	10	10
Rotation Direction	CCW	CCW	CW	CW	CW	CCW	CCW	CCW	CCW	CW	CW	CW

BDPG-36-40-12V-4000-Rxx Specifications

Gear Ratio	4	5	14	19	27	51	71	100	139	189	264	369
Length (L)	35.5	35.5	35.5	35.5	35.5	41.5	41.5	41.5	41.5	47.5	47.5	47.5
No Load Speed (RPM)	1000	800	285	210	148	78	56	40	29	21	15	11
Rated Speed (RPM)	800	640	228	168	118	63	45	32	23	17	12	8
Rated Torque (kg-cm)	0.3	0.4	1.0	1.4	1.9	3.3	4.6	6.5	9.0	10	10	10
Rotation Direction	CCW	CCW	CW	CW	CW	CCW	CCW	CCW	CCW	CW	CW	CW

BDPG-36-40-12V-5000-Rxx Specifications

Gear Ratio	4	5	14	19	27	51	71	100	139	189	264	369
Length (L)	35.5	35.5	35.5	35.5	35.5	41.5	41.5	41.5	41.5	47.5	47.5	47.5
No Load Speed (RPM)	1250	1000	357	263	189	98	70	50	36	26	19	13
Rated Speed (RPM)	1075	860	307	226	159	84	60	43	31	23	16	11
Rated Torque (kg-cm)	0.2	0.3	0.8	1.1	1.5	2.6	3.7	5.2	7.2	8.2	10	10
Rotation Direction	CCW	CCW	CW	CW	CW	CCW	CCW	CCW	CCW	CW	CW	CW



Doc#L010338

4985 East Landon Drive Anaheim, CA 92807 Tel (714) 992-6990 Fax (714) 992-0471
www.anaheimautomation.com